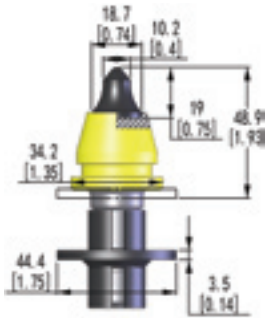


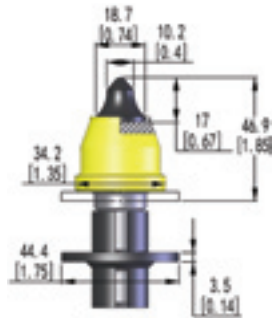
Road milling tools 刨路齿

20mm (.76") shank 齿柄

◆ JZ49/20-RZ25/P19-23-2



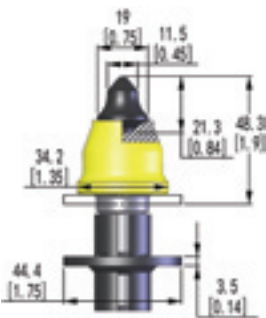
◆ JZ47/20-RZ05/P19-23-2



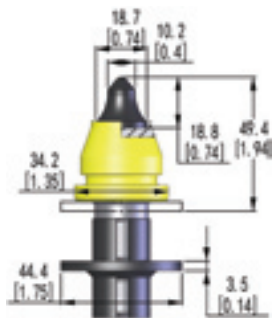
◆ JZ48/20-RZ08/P22-23-2



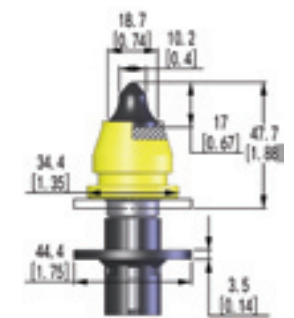
◆ JZ48/20-RZ19/C19-23-2



◆ JZ49/20-RZ16/P19-23-2



◆ JZ48/20-RZ24/P19-23-2



Road milling tools
20mm (.76") shank

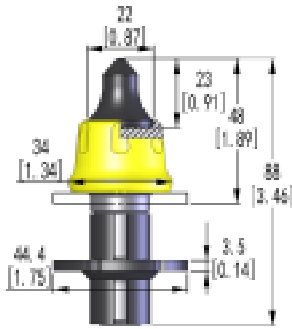


SANSHAN Mineral Ground Tools

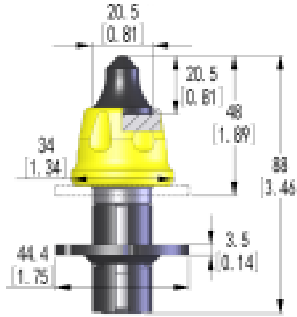
Road milling tools 刨路齿

20mm (.76") shank 齿柄

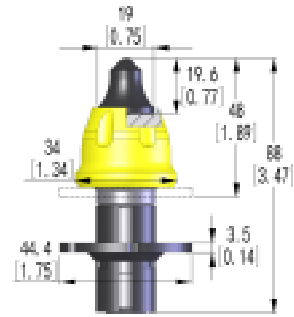
◆ JZ48/20-W8EHR/P22-23-2



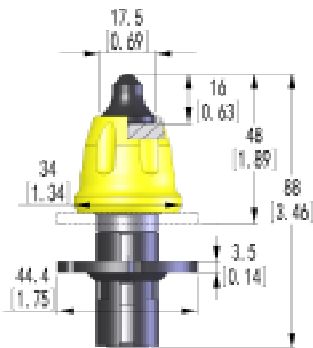
◆ JZ48/20-W7EHR/P20-23-2



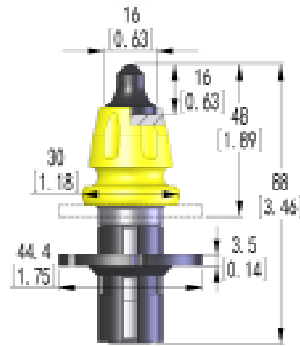
◆ JZ48/20-W6EHR/P19-23-2



◆ JZ48/20-W5EHR/P17-23-2



◆ JZ48/20-W4ER/P16-23-2



Road milling tools
20mm (.76") shank

